

THE PROPERTY OF THIS DRAWING IS ESTABLISHED BY LAW
IT IS FORBIDDEN TO REPRODUCE IT OR SHOW IT TO THIRD PARTY
WITHOUT A WRITTEN AGREEMENT.

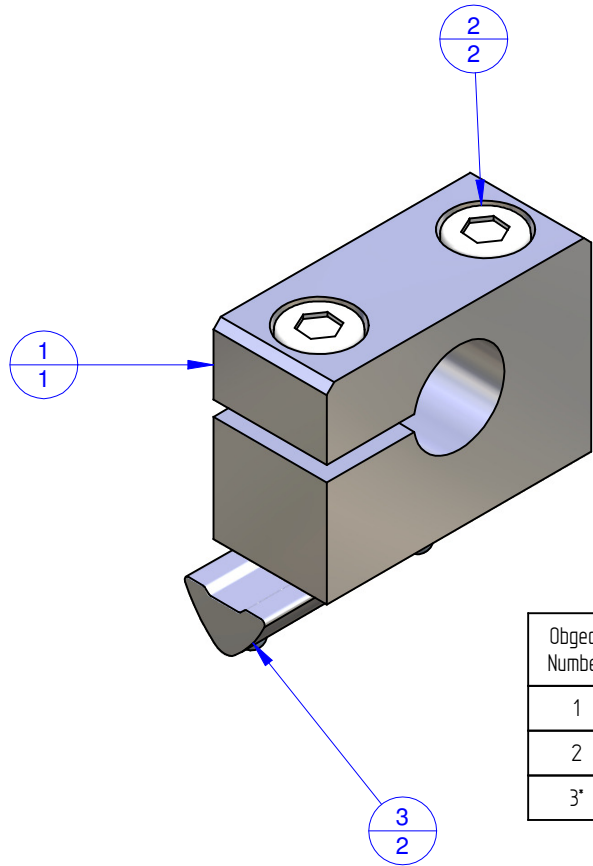
MODIFICATIONS: VARIED DIMENSIONS AS OF DATE:

7	10
8	11
9	12

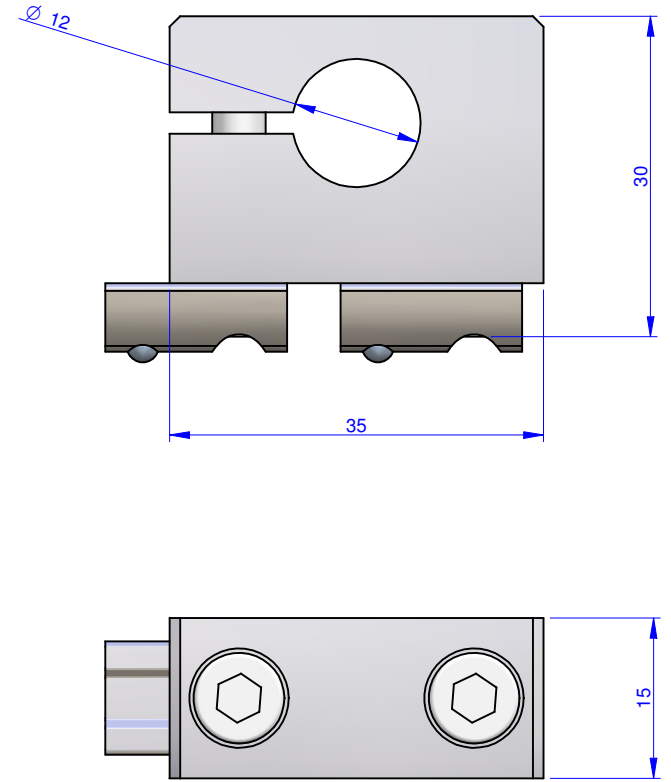
MODIFICATIONS: VARIED DIMENSIONS AS OF DATE:

1	4
2	5
3	6

Format **A3**
UNI 936-76



Object Number	Name	QTY
1	CA03.12.002	1
2	VTCE5X25	2
3*	CA02.05.005	2



FP Services		DESIGNED FROM FPSERVICES	
GENERAL TOLERANCE: UNI - ISO 2768 CLASSE f		DATE 12/2013	WEIGHT 0,000 kg
DESCRIPTION		CODE CA.03.12.002.6	

